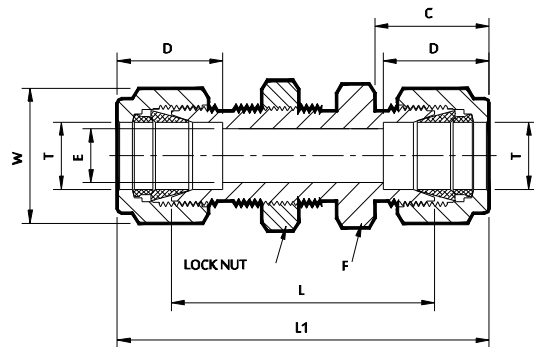
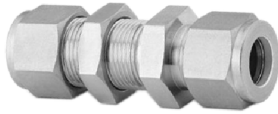


2.9 Bulkhead Union

01. Fractional Tube x Fractional Tube

Material - **SS 304 | SS 316**



Sr. No.	TUBE OD Ø T	Ref. Part No.		ØE	D	C	L	L1	Body Hex F	Nut Hex W
		SS 304	SS 316							
		BUD4	BUD6	Dimensions in Inches						
1	1/8	2BUDx4	2BUDx6	0.09	0.50	0.60	1.50	2.02	7/16	7/16
2	1/4	4BUDx4	4BUDx6	0.19	0.60	0.70	1.69	2.27	9/16	9/16
3	5/16	5BUDx4	5BUDx6	0.25	0.64	0.73	1.81	2.39	9/16	5/8
4	3/8	6BUDx4	6BUDx6	0.28	0.66	0.76	1.87	2.45	5/8	11/16
5	1/2	8BUDx4	8BUDx6	0.41	0.90	0.86	2.00	2.80	7/8	7/8
6	5/8	10BUDx4	10BUDx6	0.50	0.96	0.86	2.06	2.86	1	1
7	3/4	12BUDx4	12BUDx6	0.63	0.96	0.86	2.31	3.11	1.1/16	1.1/8
8	1	16BUDx4	16BUDx6	0.88	1.23	1.04	2.81	3.77	1.3/8	1.1/2

02. Metric Tube x Metric Tube

Material - **SS 304 | SS 316**

Sr. No.	TUBE OD Ø T	Ref. Part No.		ØE	D	C	L	L1	Body Hex F	Nut Hex W
		SS 304	SS 316							
		MBUD4	MBUD6	Dimensions in Millimetres						
1	3	3MBUDx4	3MBUDx6	2.4	12.9	15.3	38.1	51.3	11.1	11.1
2	6	6MBUDx4	6MBUDx6	4.8	15.3	17.7	42.9	57.7	14.2	14.2
3	8	8MBUDx4	8MBUDx6	6.4	16.2	18.6	46.0	61.0	16	16
4	10	10MBUDx4	10MBUDx6	7.9	17.2	19.5	48.5	63.7	19	19
5	12	12MBUDx4	12MBUDx6	9.5	22.8	22.0	50.8	71.0	22.2	22.2
6	15	15MBUDx4	15MBUDx6	11.9	24.4	22.0	52.3	72.5	25.4	25.4
7	16	16MBUDx4	16MBUDx6	12.7	24.4	22.0	52.3	72.5	25.4	25.4
8	18	18MBUDx4	18MBUDx6	15.1	24.4	22.0	58.7	78.9	27	30
9	20	20MBUDx4	20MBUDx6	15.9	26.0	22.0	64.3	84.5	30	32
10	25	25MBUDx4	25MBUDx6	21.8	31.3	26.5	71.2	95.8	35	38

- For Lock Nut use 'BUND'

- NOTE : ① The E Dimension is the minimum opening.
② Dimension L1, D is shown in the finger-tight position.